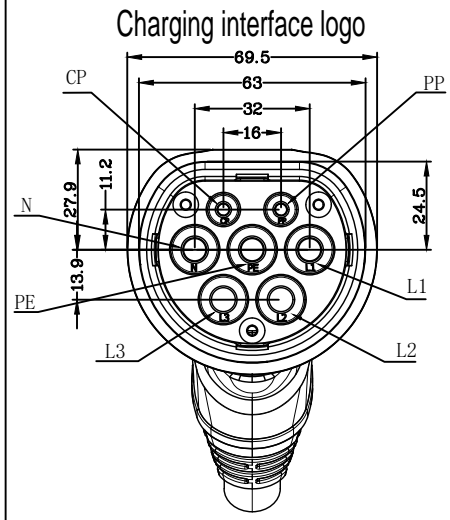
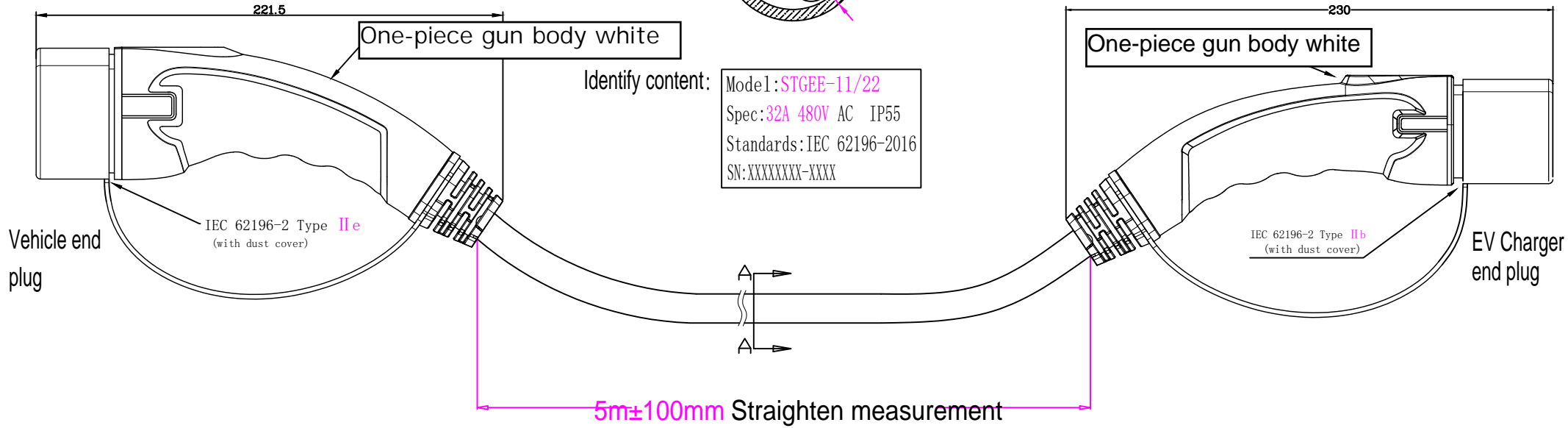
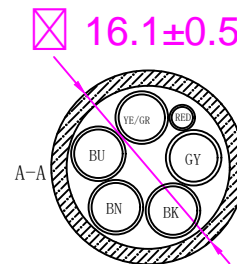


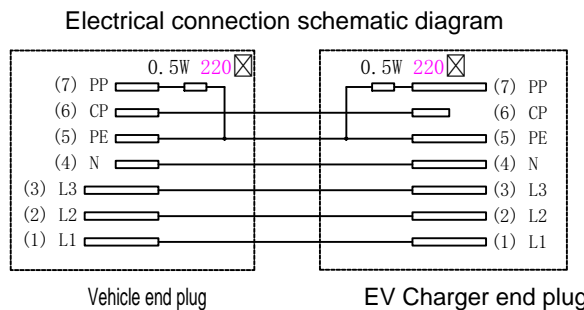
This product meets the requirements of IEC 62196-1/2

Name: European standard 32A three-phase double gun

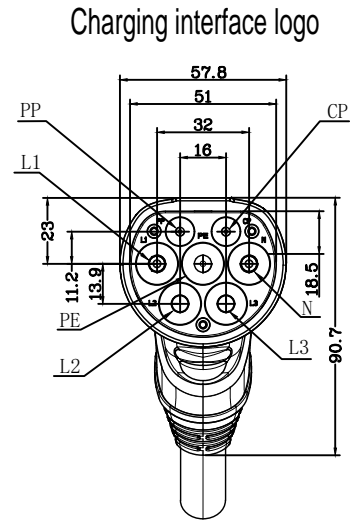
| Date | Version | Modify content | Workers inside the factory should pay attention to check | | |
|------------|---------|----------------------|--|----|---------------------|
| 2023.03.11 | A0 | New version released | Empty gun mount: | No | Program number: A14 |
| | | | | | |



5*6mm² + 1*0.5mm² Black TPU sheath



| Function | Cable specifications | Color | The main technical parameters |
|----------|----------------------|--------------|--|
| L1 (1) | 6mm ² | Brown | 1. Rated current: 32A 2. Rated voltage: 480V AC 3. Insulation resistance: ≥500MΩ DC500V 4. Pressure resistant: 2000V AC 5. Rubber shell fire rating: UL94V-0 6. Product insertion and extraction force: < 100N 7. Waterproof level: IP55 (in plugging state) 8. Ambient temperature: -30~+50°C 9. Plug and unplug life: Plug and unplug > 10,000 times (no load) |
| L2 (2) | 6mm ² | Black | |
| L3 (3) | 6mm ² | Gray | |
| N (4) | 6mm ² | Blue | |
| PE (5) | 6mm ² | Yellow/Green | |
| CP (6) | 0.5mm ² | Red | |
| PP (7) | 0.5mm ² | Blue | |



| | | | | | | | | |
|----------------------|----------------------|-------|------|---------|------------|-------------------------|-------------|--|
| Client confirmation: | Client's name | Units | View | Drawing | zhang Fei | Product material number | A0875EX1901 | 新驰电气集团有限公司 Suntree Electric Group Co., Ltd. |
| Date: | Customer part number | mm | | Date | 2023.03.11 | Assessor: | Xia Chuyang | |